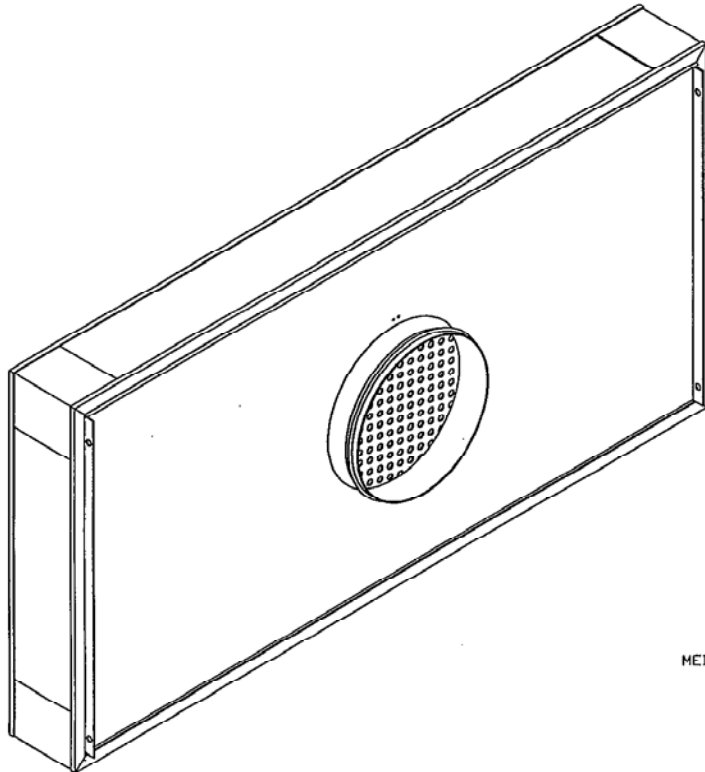
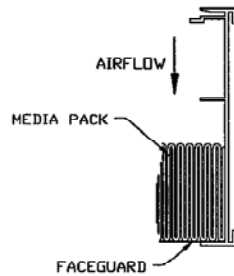


Item Number	Construction Code	Nominal Size (Inches) H x W	Actual Size (Inches) H x W x D	Inlet Collar Diameter (Inches)	Efficiency	Initial Resistance (In. W.G.)	Rated Air Flow (CFM) @ 90 FPM	Media Area (Sq. Ft.)
2999231	CD2424 2L-0N0 750 W3B	24 x 24	23-5/8 x 23-5/8 x 5	12	99.99% @ 0.3 Micron	0.45	306	95
2999229	CD2448 2L-0N0 750 W3B	24 x 48	23-5/8 x 47-5/8 x 5	12	99.99% @ 0.3 Micron	0.45	638	186





Construction	Code	Description
Standard and Certification	0	HEPA-IEST-RP-CC001.3 per MIL-STD 282
Frame Material	N	Aluminized Extruded Aluminum
Frame Style	0	No Center Port - Fixed Damper
Gasket	7	None
Gasket Location	5	None
Sealant	0	Urethane (180 deg. F)
Hardware	W	White Expanded Metal - Downstream
Acceptance Level	3	99.99% @ 0.3 Micron Scanned
Separators	B	1-5/8" Bead Pack (160 deg. F)



CELL SIDE DETAIL

Notes

1. Media: Micro-Glass Fiber / Acrylic Resin Binder
2. Rated Velocity - 90 FPM
3. Recommended Final Resistance: Twice Initial Resistance  
(Ex. CD2448 2L-0N0 750 W3B Final Resistance: 0.90" W.G. @620 CFM)
4. Class 2 Filter Per U.L. Standard 900
5. Maximum Operating Temperature (160 deg. F)
6. Shipping Weight:  
2 x 2 Module - 20 lb.  
2 x 4 Module - 36 lb.

 <b>ONE SOURCE FOR AIR FILTRATION PRODUCTS</b> P.O. Box 32578 Louisville, KY 40232 P: 502-969-2304 F: 502-969-2759	<b>TOLERANCES</b> UNLESS OTHERWISE SPECIFIED		DRAWING NAME <b>MICROPLEAT DUCTED DISPOSABLE CEILING MODULES          12" COLLAR, FOR 1-1/2" T-BAR GRID - FIXED DAMPER</b>		
	FRACTIONAL DECIMAL ANGLES	APPROVED BY 	SPECIFICATION NO. <b>MKT-B-00407</b>	PAGE <b>1 OF 1</b>	
<b>CONTACT FACTORY TO VERIFY REVISION LEVEL</b>		SCALE <b>NONE</b>	DWG. SIZE <b>A</b>	REVISION <b>B</b>	REVISION DATE <b>08-04-05</b>
ALL DIMENSIONS IN INCHES		<small>CONFIDENTIAL - DO NOT COPY. THIS MATERIAL IS TRADE SECRET AND PROPRIETARY BEING EXCLUSIVELY OWNED BY AIRGUARD. THE EXPRESSION OF THE INFORMATION CONTAINED HEREIN IS PROTECTED UNDER FEDERAL COPYRIGHT LAWS AND ALL COPYING IS PROHIBITED AND MAY BE SUBJECT TO CRIMINAL PENALTIES.</small>			